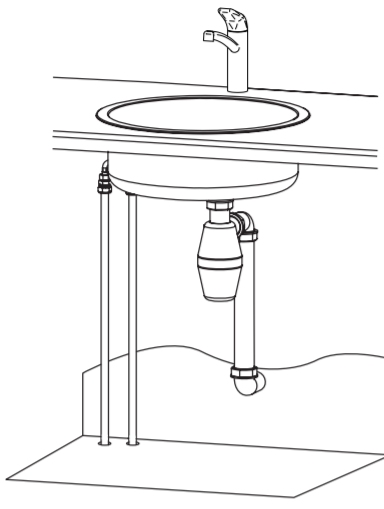


INSTALLATION

Follow all steps accordingly for a correct installation of the H²OTAP.

INITIAL SITUATION

- Before you begin identify and clearly mark the hot and cold water pipes. Mark this on the tap inlet and on the waterpipe.
- Shut off the rising main stopcock.

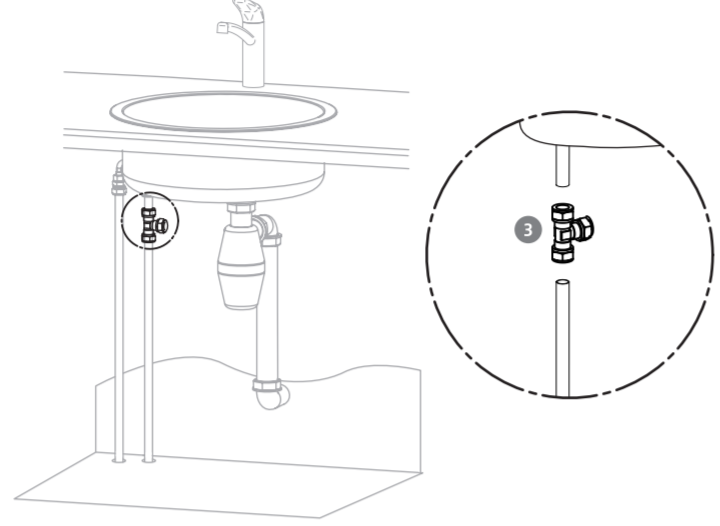


ATTENTION:

- Do NOT connect or switch on power until unit is installed and filled with water.

STEP 1

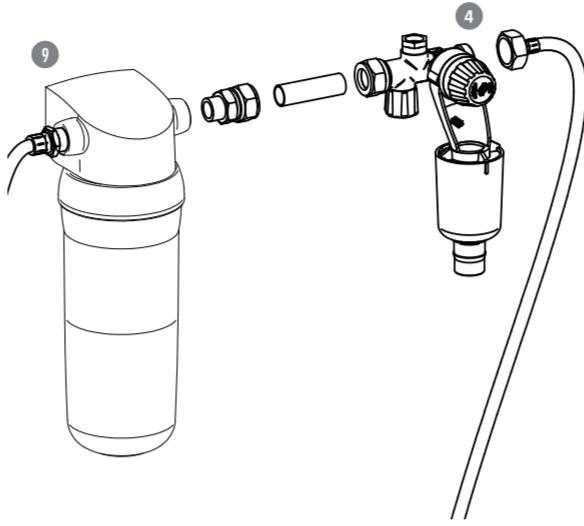
- Determine the position for the tee connector **3** and fit it in the cold water pipe.



- Allow for the space required for the inlet pressure relief valve **4** and the water filter, as appropriate.

STEP 2

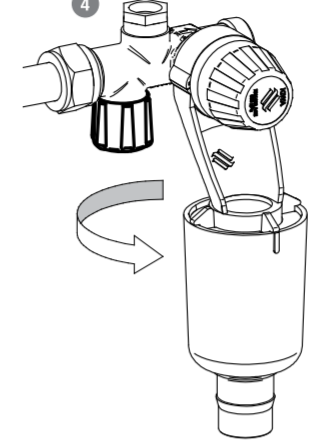
- Fit the inlet pressure relief valve **4** and adaptor coupling using copper tubing (15 mm) to the water filter **1** outlet.



- The distance between the inlet pressure relief valve **4** and the boiling water heater must not exceed 1,5 metres.
- Note the flow direction in the water filter.

STEP 3

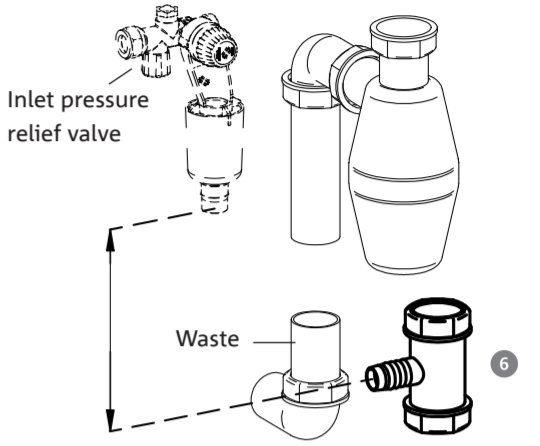
- Turn the valve on the inlet pressure relieve valve **4** off. Open the rising mains stopcock.
- Check for leaks. Shut the mains rising stopcock off again after checking.



- The expansion outlet from the inlet pressure relief valve must be left open to atmosphere and directed downwards in every case. This tube must never be enclosed in another tube or hose.

STEP 4

- Determine the position for the waste tee connector **6** and fit it in the waste pipe.

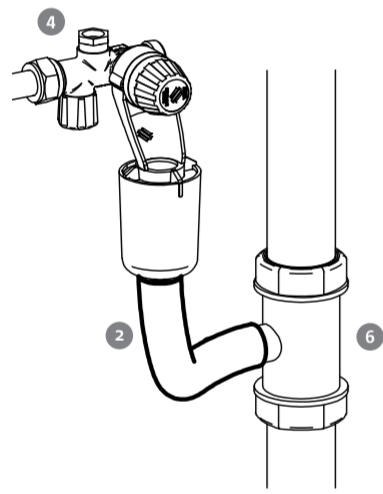


ATTENTION:

- The waste tee piece is to be positioned lower than the inlet pressure relief valve tundish.

STEP 5

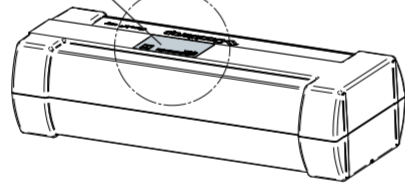
- Connect the waste tee piece **6** to the inlet pressure relief valve tundish **4** using the flexible plastic hose **2**.



- The tundish has a water trap in order to prevent odours from escaping from the waste pipe.

STEP 6

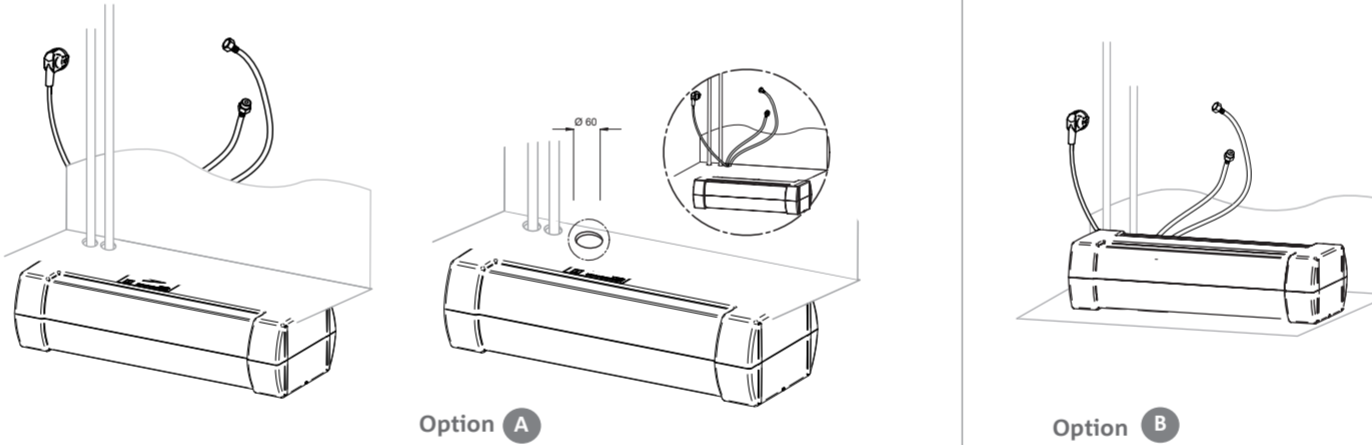
- The H²OTAP can only be fitted horizontally. In doing so ensure that the boiling water heater is positioned correctly (follow instructions on sticker).



DEZE ZIJDE BOVEN
Option A
THIS SIDE UP
Option A
CE CÔTÉ VERS LE HAUT
Option A

STEP 7

- Fit the H²OTAP behind the plinth Option **A** or in the kitchen cupboard unit Option **B** all surfaces should be level and vibration free. Route the mains lead and the connecting hoses upwards behind the floor of the kitchen unit.
- If there is no room to route the mains lead and hoses along the back wall, you can drill a hole (ø60 mm) in the base of the kitchen unit. There is no need to drill the 60mm diameter hole if the H²OTAP is to be installed in the kitchen unit.

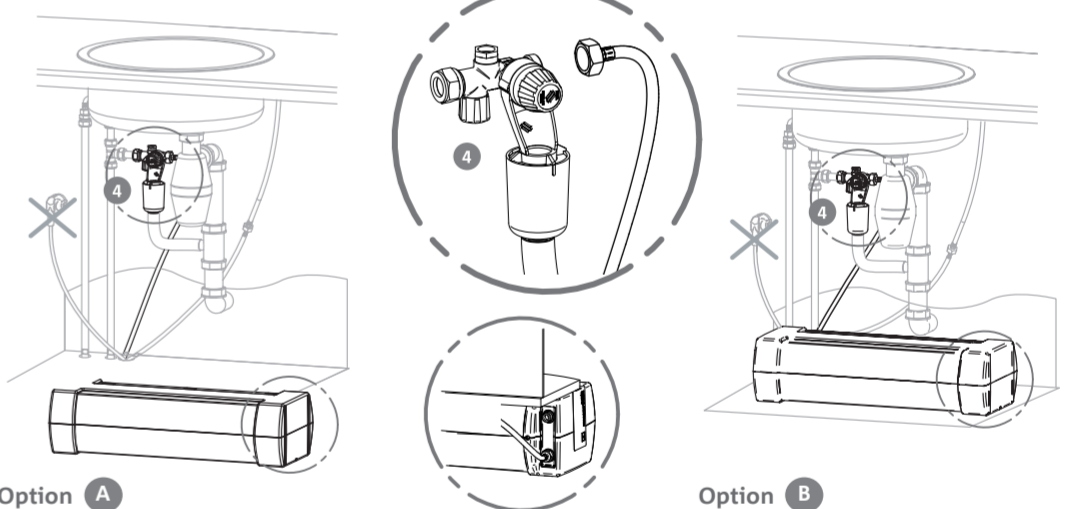


ATTENTION:

- Do not insert the mains lead into the fused spur.

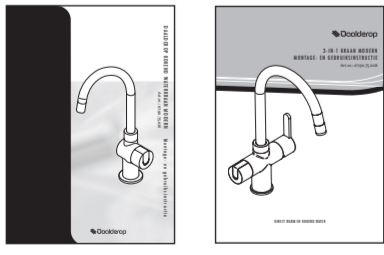
STEP 8

- Connect the H²OTAP cold water hose to the inlet pressure relief valve **4**. This is the hose with the seals and 1/2" swivel nut.
- The flexible connecting hoses must not be twisted or kinked once connected.



STEP 9

- The next step is installing the tap. Check the installation manual of the relevant tap.



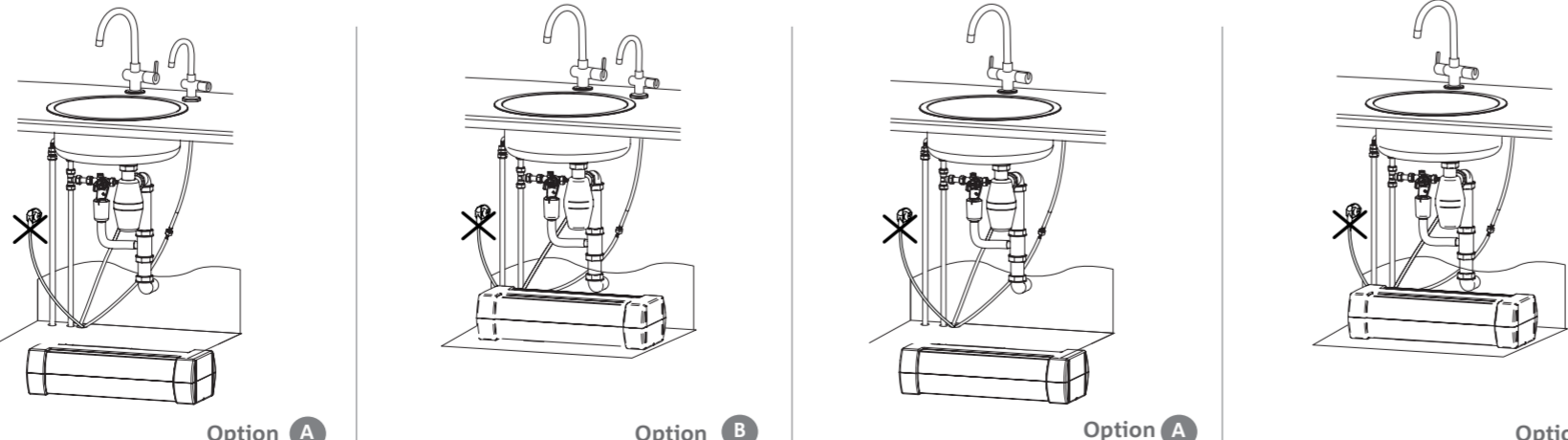
- H²OTAP Modern (07.90.75.016)
- 3-in-1 tap Modern (07.90.75.018)

ATTENTION:

- Check the installation manual of the relevant tap.

STEP 10

- The H²OTAP is now installed horizontally
- Switch on the mains rising stopcock
- Turn the valve on the inlet pressure relief valve on



ATTENTION:

- Do not insert the mains lead into the fused spur.

STEP 11

Paste this type plate on the back of the manual or in the vicinity of the heater.

Doelderap
type: 07.02.12.831
Serialnumber for proof of warranty
YYMMWW.XXXX

- Affix the data plate supplied loose close to the unit. This will provide easy access to ascertain the model and serial number of the unit even if you decide to place the unit behind the plinth.

STEP 12

- In order to fill the water heater you first open the H²OTAP fully
- Flush the H²OTAP through for 3 minutes until clear water comes out of the tap
- After turning off the tap check the connections for leaks
- Connect the H²OTAP to an fused spur
- If, during the heating-up period, water is not discharged due to expansion from the inlet pressure relief valve after 4 minutes, switch the power off immediately and open the H²OTAP to release the water pressure.
- It will take approximately 15 minutes in order to fully heat up the H²OTAP.
- Once heated flush the heater for 3 minutes, 3 times over 1 hour. If a filter is fitted follow the instructions for the filter.

ATTENTION:

- While it is heating up, check that water trickles out through the inlet pressure relief valve outlet.